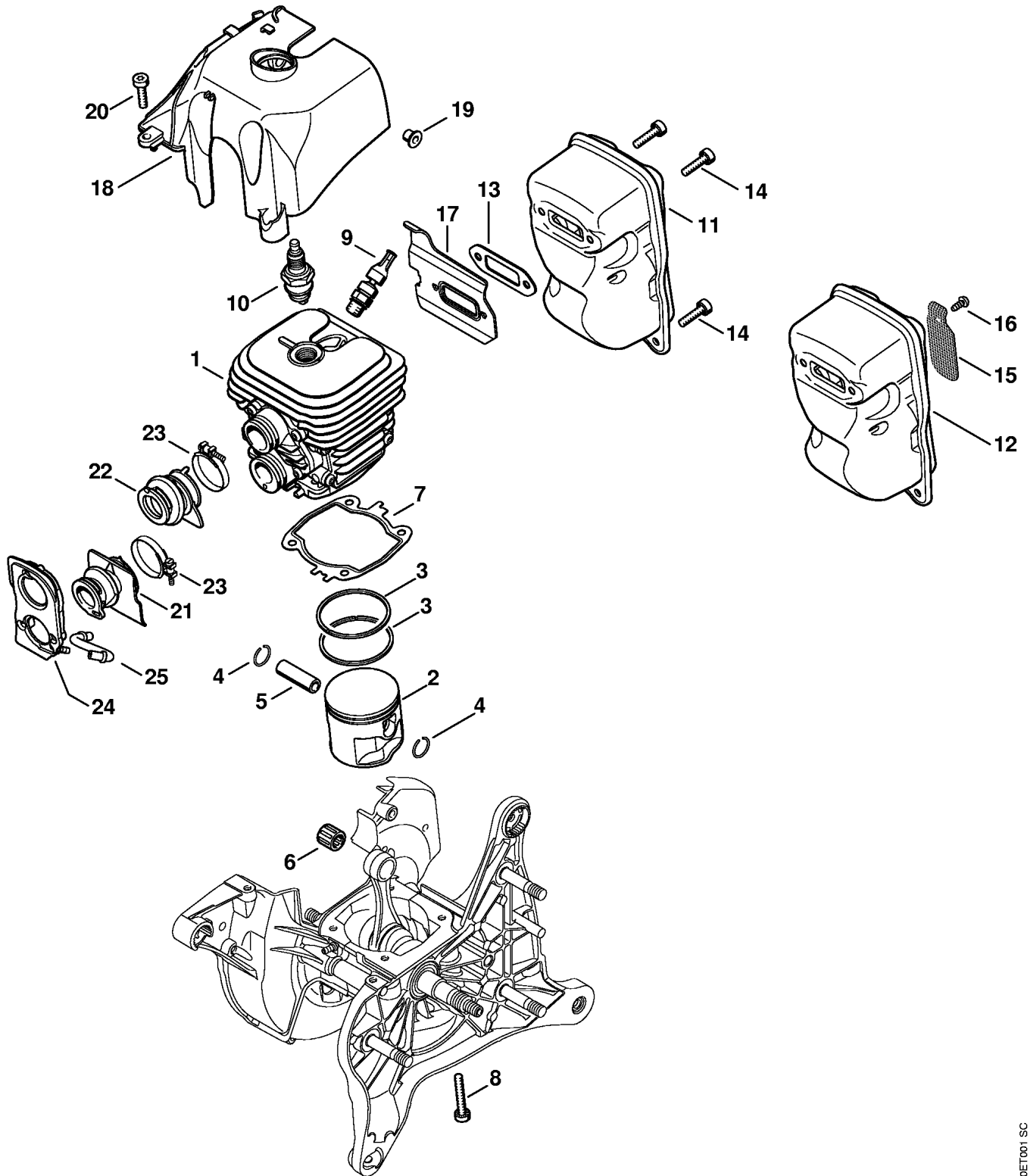


370ET000 SC

Drawing A Crankcase

Reference	Item number	Qty	Description
1	4238 020 2901	1	Crankcase □ 2 - 4
2	9503 003 0351	1	Grooved ball bearing 15x36.3x11
3	0000 953 6606	3	Stud
4	9630 951 1696	1	Oil seal 15x26x7
5	4238 020 2601	1	Crankcase, fan side □ 2, 6 - 8
6	0000 988 5211	1	Connector
7	0000 988 8600	2	Sleeve
8	9640 003 1570	1	Oil seal 15x24x7
9	4238 030 0400	1	Crankshaft
10	4238 029 0500	1	Gasket
11	9022 371 1020	4	Spline screw IS-M5x20
12	4238 141 5400	1	Hose
13	4238 141 1800	1	Sleeve
14	4238 660 0400	1	Belt tensioner
15	4224 664 2100	1	Clamping lever
16	4224 664 4200	1	Cover
17	9075 478 4159	2	Pan head self-tapping screw IS-D5x24
	4238 007 1003	1	Set of gaskets (B) □ 4, 8, 10

(1) TS 410, (2) TS 410-Z, (3) TS 420, (4) TS 420-Z

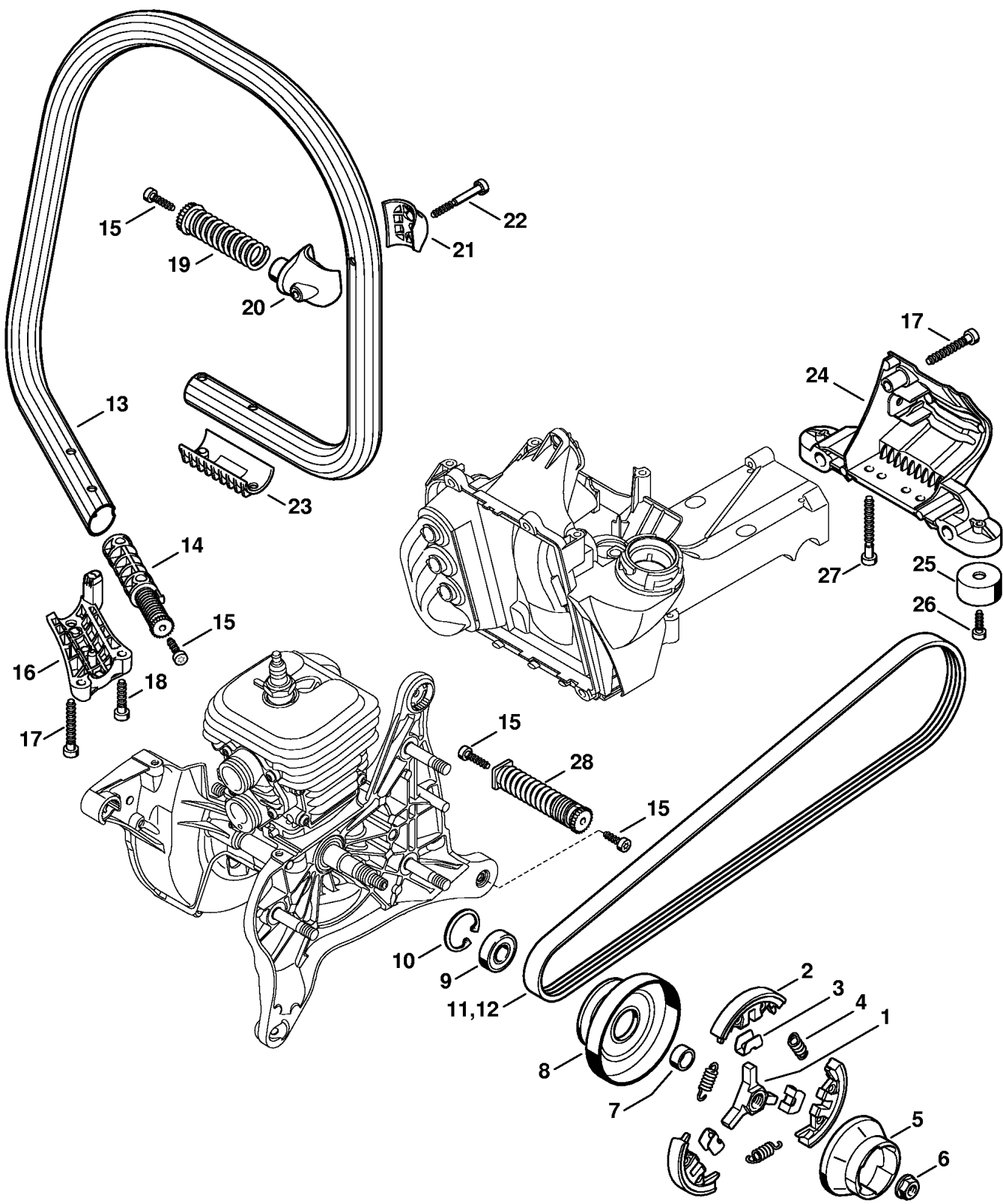


370ET001 SC

Drawing B Cylinder, Muffler

Reference	Item number	Qty	Description
1	4238 020 1202	1	Cylinder with piston Ø 50 mm □ 2 - 5
2	4238 030 2003	1	Piston Ø 50 mm □ 3 - 5
3	1128 034 3000	2	Piston ring Ø 50x1.2 mm
4	9463 650 1000	2	Snap ring 10
5	4238 034 1500	1	Piston pin 10x6x32
6	9512 003 2344	1	Needle cage 10x14x13
7	4238 029 2300	1	Cylinder gasket
8	9022 371 1073	4	Spline screw IS-M5x32
9	4238 020 9400	1	Decompression valve
10	1110 400 7005	1	Spark plug Bosch WSR 6 F
10	0000 400 7000	1	Spark plug NGK BPMR7A
11	4238 140 0610	1	Muffler (1,3) □ 13, 14, 17
12	4238 140 0611	1	Muffler (2,4) USDA Cert. I.D. 4238/01 USA, CDN, AUS, NZ □ 13 - 17
13	4238 149 0600	1	Exhaust gasket
14	9022 371 1020	3	Spline screw IS-M5x20
15	4238 141 9000	1	Screen (2,4) USA, CDN, AUS, NZ
16	9039 448 0656	1	Self-tapping screw M4x9.6 (2,4) USA, CDN, AUS, NZ
17	4238 141 3200	1	Cooling plate
18	4238 080 0900	1	Air guide shroud □ 19
19	9991 003 5087	1	Sleeve 7.5x6.8
20	9022 371 1020	2	Spline screw IS-M5x20
21	4238 141 2203	1	Manifold
22	4238 141 2202	1	Manifold
23	9771 021 2536	2	Hose clamp 30x5
24	4238 140 2200	1	Flange
25	0000 141 8600	1	Impulse hose
	4238 007 1003	1	Set of gaskets (B) □ 7, 13

(1) TS 410, (2) TS 410-Z, (3) TS 420, (4) TS 420-Z

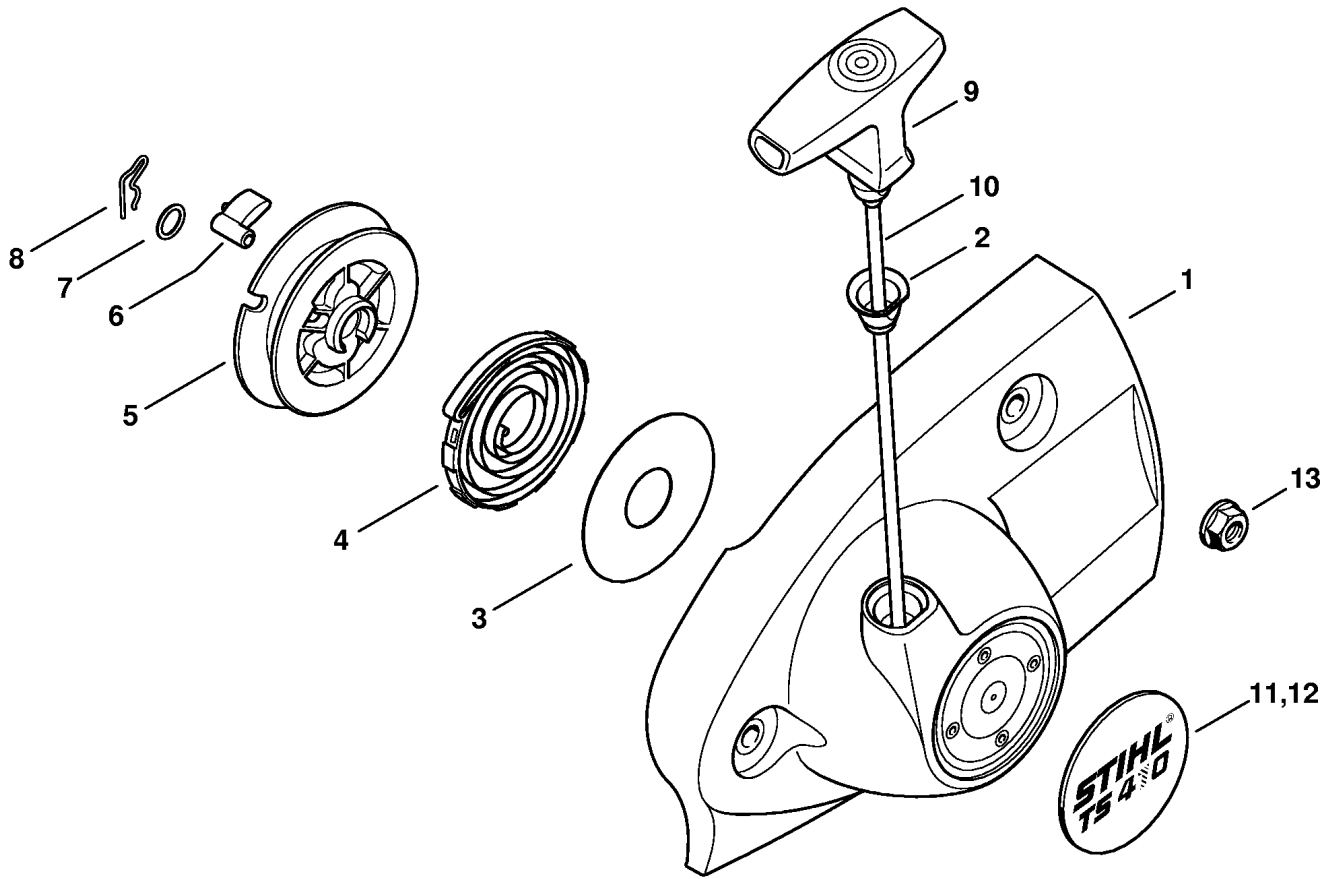


370ET002 SC

Drawing C Clutch, Handlebar

Reference	Item number	Qty	Description
	4238 160 2001	1	Clutch □ 1 - 4
1	1125 162 3202	1	Carrier
2	1128 162 0806	3	Clutch shoe
3	1128 162 3000	3	Retainer
4	0000 997 0912	3	Tension spring
5	4238 195 0600	1	Starter cup
6	0000 955 0802	1	Collar nut M8x1
7	0000 036 0200	1	Ring
8	4238 760 8500	1	Poly V-belt pulley □ 9, 10
9	9503 003 5136	1	Grooved ball bearing 6001-2RS
10	9456 621 3100	1	Circlip 28x1.2
11	9490 000 7901	1	Poly V-belt, ribbed 5PJ740LB (1,2)
12	9490 000 7900	1	Poly V-belt, ribbed 5PJ801LB (3,4)
13	4238 791 1700	1	Handlebar
14	4238 790 8301	1	AV-Spring
15	9074 478 4425	4	Pan head self-tapping screw IS-P6x19
16	4238 791 0910	1	Clamp
17	9074 478 4705	2	Pan head self-tapping screw IS-P6x40
18	9074 478 4545	2	Pan head self-tapping screw IS-P6x26.5
19	4238 790 8302	1	AV-Spring
20	4238 791 1900	1	Handlebar support
21	4238 791 0900	1	Clamp
22	9075 478 4190	1	Pan head self-tapping screw IS-D5x45
23	4238 791 0905	1	Clamp
	4238 790 7600	1	Support □ 24 - 26
24	4238 791 7601	1	Support
25	4205 790 9300	2	Rubber buffer
26	0000 951 1100	2	Screw IS-D5x20
27	9074 478 4706	2	Pan head self-tapping screw IS-P6x50
28	4238 790 8304	1	AV-Spring

(1) TS 410, (2) TS 410-Z, (3) TS 420, (4) TS 420-Z

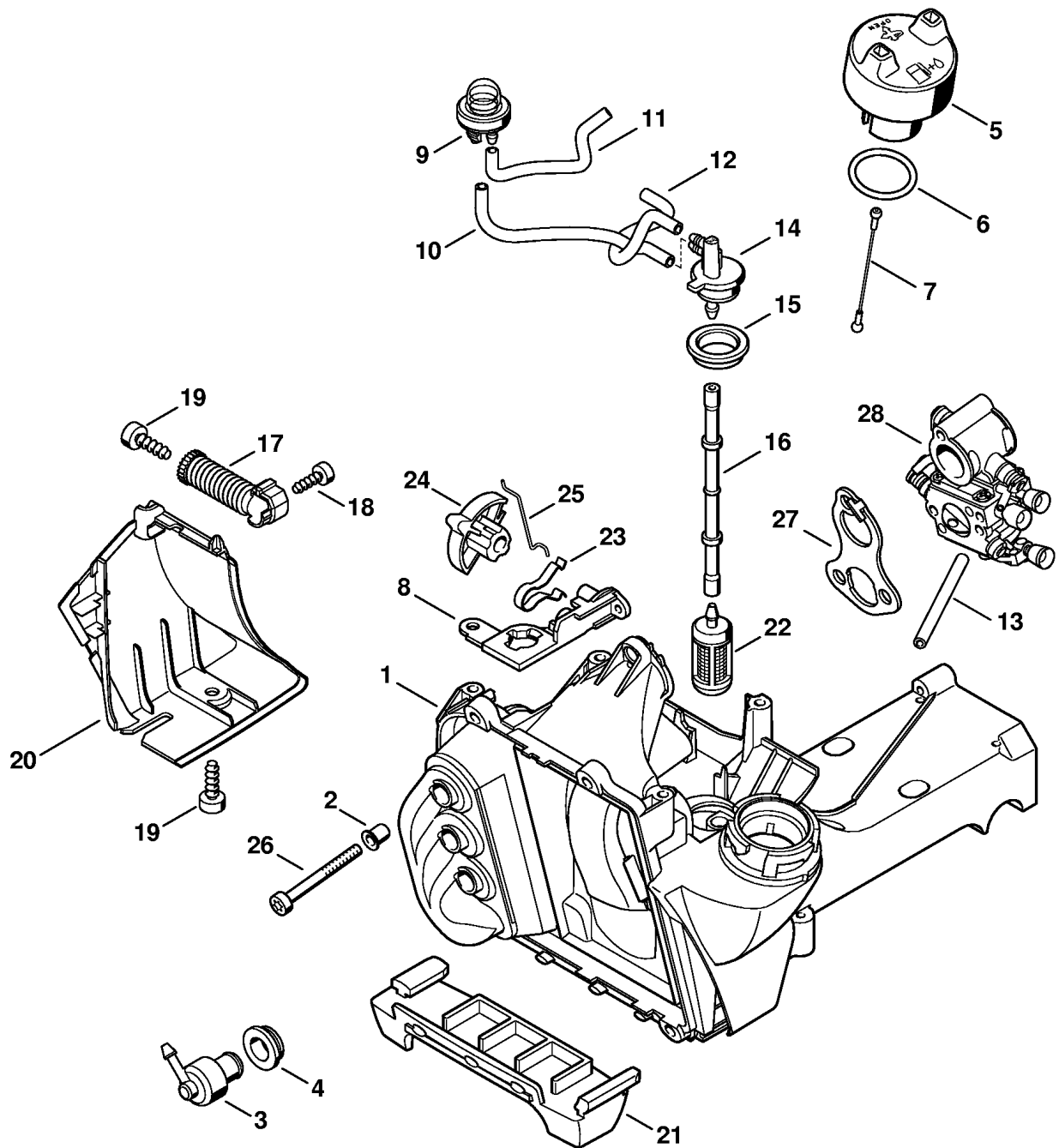


370ET003 SC

Drawing D Rewind starter

Reference	Item number	Qty	Description
	4238 190 0300	1	Starter cover with rewind starter □ 1 - 12
1	4238 190 0401	1	Starter cover □ 2
2	1110 084 9102	1	Bushing
3	4238 195 9000	1	Washer
4	4282 190 0600	1	Rewind spring
5	4223 190 1001	1	Rope rotor
6	4116 195 7200	1	Pawl
7	0000 958 0923	1	Washer
8	1118 195 3500	1	Spring
9	0000 190 3414	1	Starter grip ElastoStart Ø 4.5 mm □ 10
10	0000 190 2901	1	Starter rope Ø 4.5 mm
	0000 930 2295	1	Starter rope Ø 4.5mm / 28 pieces (B)
11	4238 967 1500	1	Model plate TS 410 (1,2)
12	4238 967 1501	1	Model plate TS 420 (3,4)
13	9220 260 1100	3	Hexagon nut M8

(1) TS 410, (2) TS 410-Z, (3) TS 420, (4) TS 420-Z

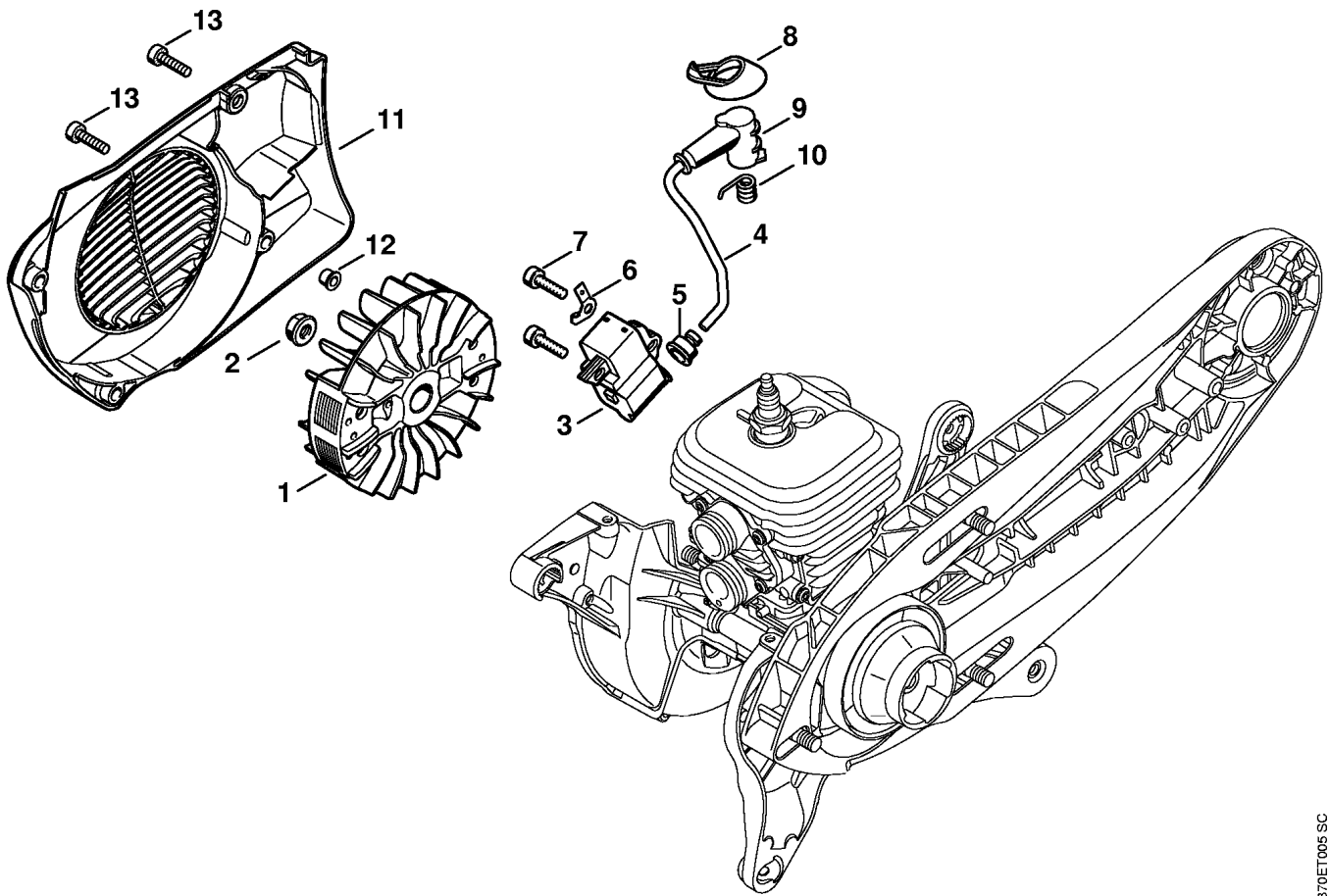


370ET004 SC

Drawing E Tank housing

Reference	Item number	Qty	Description
1	4238 350 0813	1	Tank housing □ 1 - 22
2	9443 825 7131	3	Hollow rivet 7.5x1x9.1
3	4238 350 5800	1	Tank vent
4	4223 353 9201	1	Grommet
5	0000 350 0502	1	Filler cap □ 6, 7
6	9645 948 2470	1	O-ring 23x3
7	0000 350 0905	1	Rope
8	4238 352 8201	1	Clamp
9	4238 350 6201	1	Fuel pump
10		1	Hose 3.1x5.7x127 mm (D)
11		1	Hose 3.1x5.7x93 mm (D)
12		1	Hose 3.1x5.7x130 mm (D)
13		1	Hose 3.1x5.7x102 mm (D)
	0000 930 2803	1	Hose 3.1x5.7 mm x 1 m (A,B)
	0712 923 8004	1	Hose 3.1x5.7 mm x 10 m (A,B)
14	4238 353 2701	1	Connector
15	4238 353 9200	1	Grommet
16	4238 358 7700	1	Hose
17	4238 790 8300	1	AV-Spring
18	9074 477 4130	1	Pan head self-tapping screw IS-P5x16
19	9074 478 4425	2	Pan head self-tapping screw IS-P6x19
20	4238 141 6300	1	Air baffle
21	4238 354 0100	1	Support foot
22	0000 350 3506	1	Pickup body
23	4238 121 2400	1	Flat spring
24	4238 121 6100	1	Choke lever
25	4238 185 1500	1	Choke rod
26	9022 341 1220	3	Spline screw IS-M5x48
27	4238 129 0900	1	Gasket
28	4238 120 0600	1	Carburetor C1Q-S118
	4238 007 1003	1	Set of gaskets (B) □ 27

(1) TS 410, (2) TS 410-Z, (3) TS 420, (4) TS 420-Z

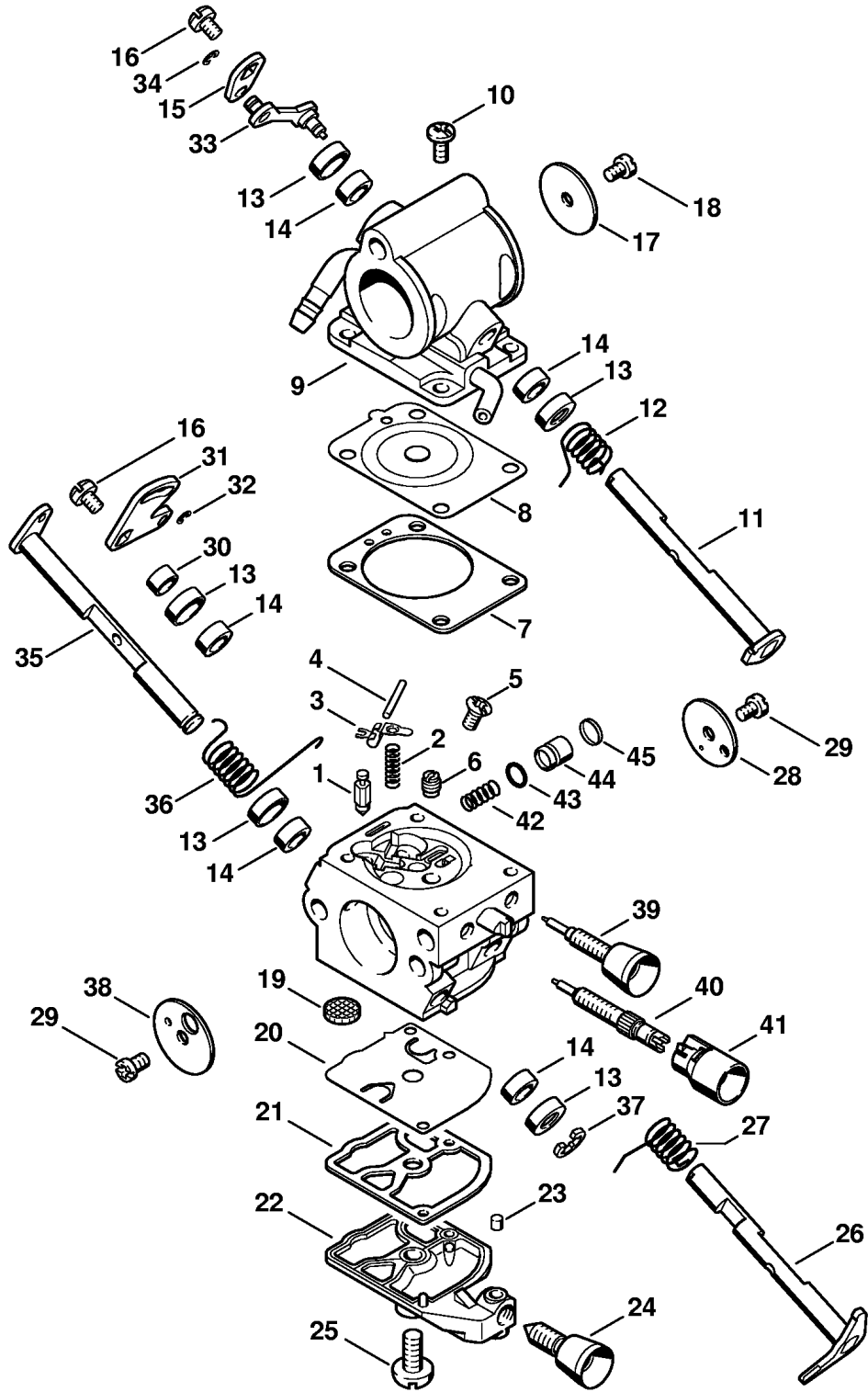


370ET005 SC

Drawing F Ignition system

Reference	Item number	Qty	Description
1	4238 400 1202	1	Flywheel
2	0000 955 0802	1	Collar nut M8x1
3	4238 400 1301	1	Ignition module □ 4, 5
4		1	Ignition lead 275 mm (D)
	0000 405 0600	1	Ignition lead 1 m (A,B)
	0000 930 2251	1	Ignition lead 10 m (A,B)
5	0000 989 1002	1	Grommet
6	4238 431 2100	1	Connector tag
7	9022 341 1019	2	Spline screw IS-M5x20
8	4223 084 1600	1	Cover
9	1128 405 1000	1	Spark plug boot
10	0000 998 0604	1	Torsion spring
11	4238 080 3100	1	Fan cover □ 12
12	0000 963 0809	3	Bushing
13	9022 371 1020	4	Spline screw IS-M5x20

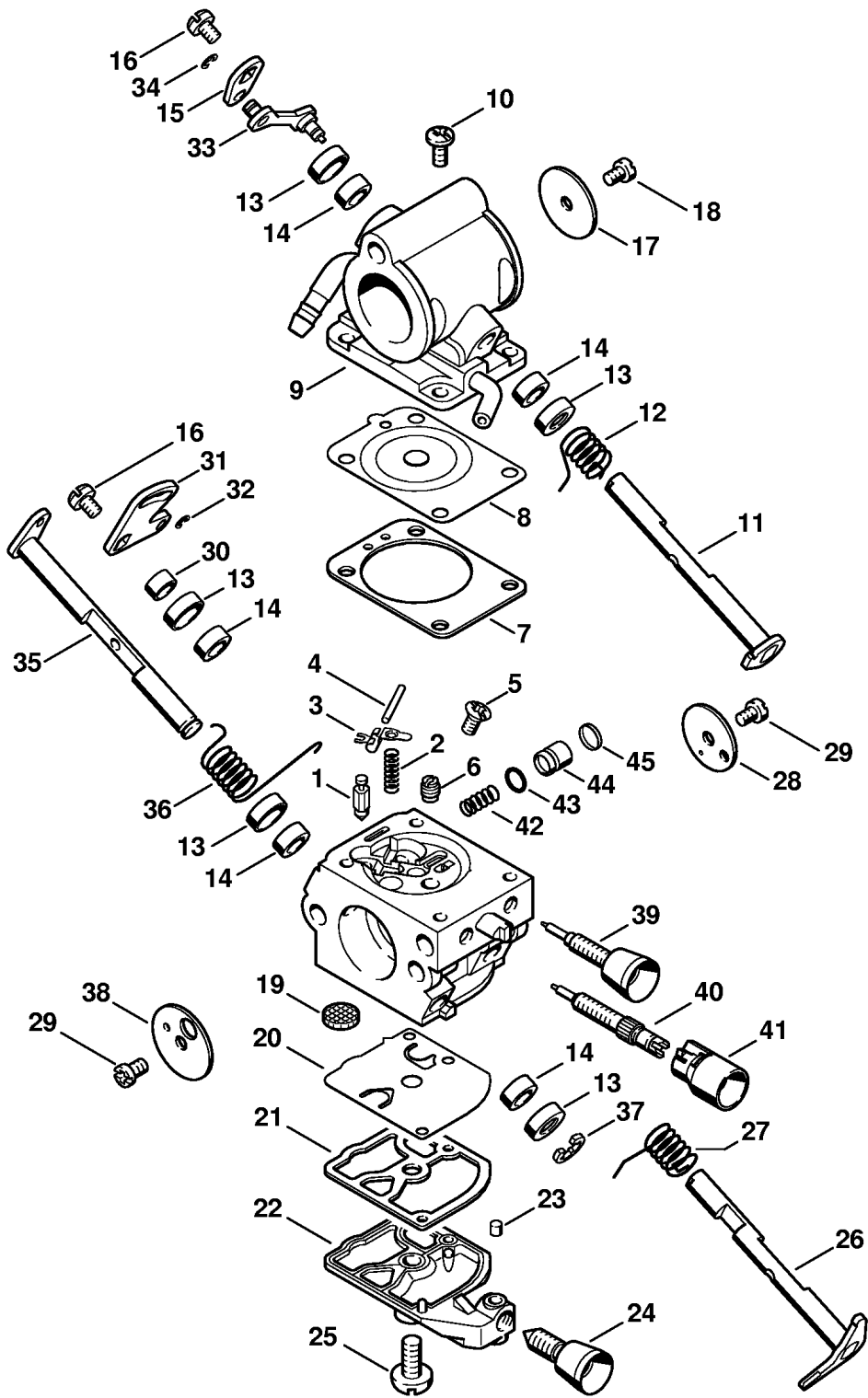
(1) TS 410, (2) TS 410-Z, (3) TS 420, (4) TS 420-Z



370ET006 SC

Reference	Item number	Qty	Description
	4238 120 0600	1	Carburetor C1Q-S118 □ 1 - 45
1	4116 121 5100	1	Inlet needle
2	1129 122 3001	1	Spring
3	1125 121 5000	1	Inlet control lever
4	1120 121 9200	1	Spindle
5	1120 122 6600	1	Collar screw
6	4238 121 5600	1	Fixed jet 0.65
7	4238 129 0901	1	Gasket
8	4238 121 4700	1	Metering diaphragm
9	4238 121 0800	1	End cover
10	1120 122 6601	4	Collar screw
11	4238 120 7300	1	Air valve shaft with lever
12	4238 122 3201	1	Torsion spring
13	4238 121 9400	5	Ring
14	4238 122 3600	5	Sealing ring
15	4238 121 6601	1	Lever
16	1139 122 7101	2	Screw
17	4180 121 3301	1	Throttle shutter
18	1125 122 7402	1	Round head screw
19	1123 121 7800	1	Strainer
20	1129 121 4800	1	Pump diaphragm
21	1123 129 0905	1	Gasket
22	4134 121 0802	1	End cover
23	1125 122 4200	1	Ball
24	4229 122 6200	1	Idle speed adjustment screw
25	1120 122 7800	1	Oval head screw
26	4238 120 7100	1	Throttle shaft with lever
27	1123 122 3000	1	Spring
28	4238 121 3300	1	Throttle shutter
29	1125 122 7403	2	Round head screw
30	4238 122 5000	1	Spacer sleeve
31	4238 121 6600	1	Lever
32	4238 122 9000	1	E-clip
33	4238 124 2100	1	Rod
34	1125 122 9003	1	E-clip

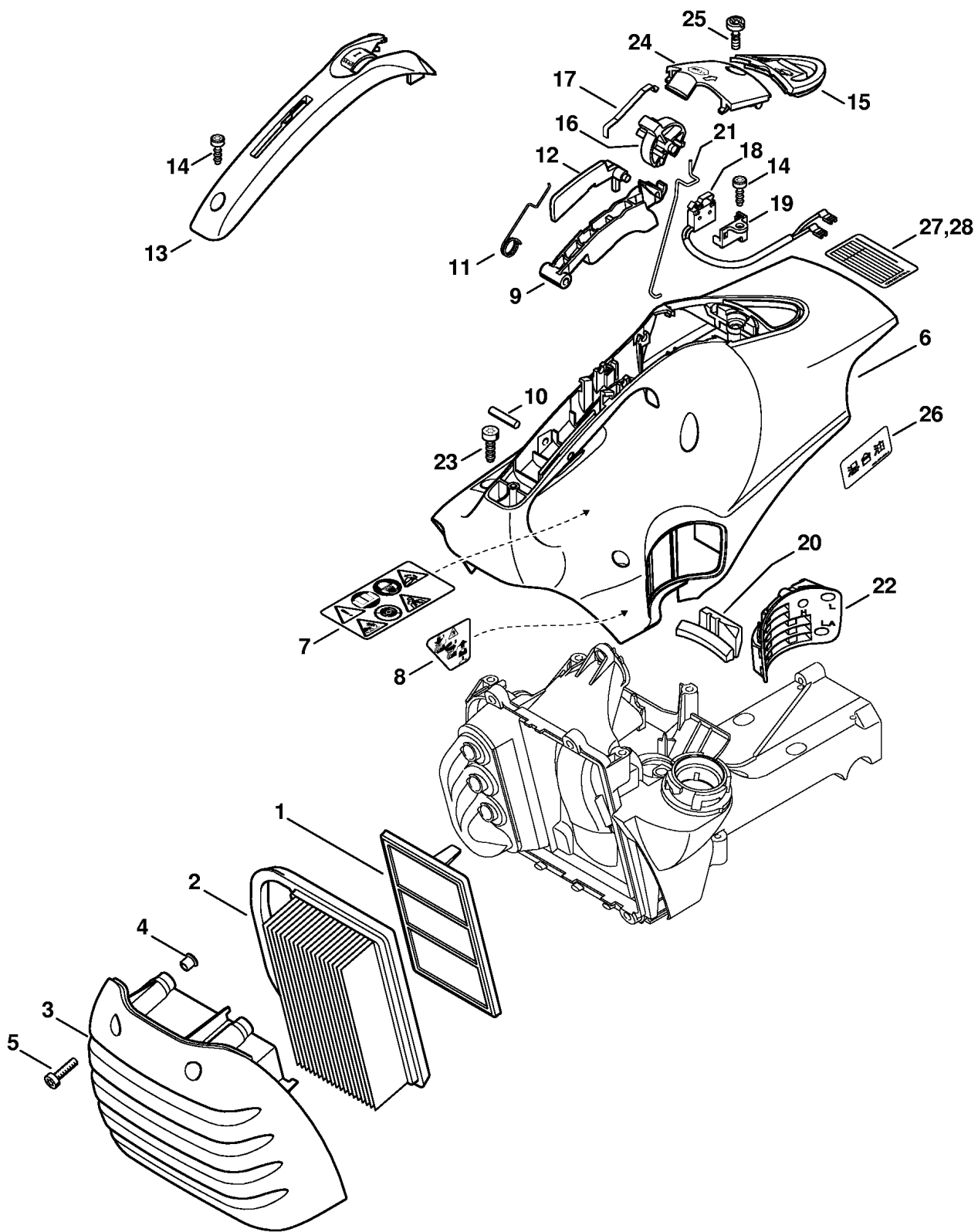
(1) TS 410, (2) TS 410-Z, (3) TS 420, (4) TS 420-Z



370ET006 SC

Reference	Item number	Qty	Description
35	4238 120 7200	1	Choke shaft with lever
36	4238 122 3200	1	Torsion spring
37	1120 122 9000	1	E-clip
38	4128 121 2900	1	Choke shutter
39	4238 122 6800	1	Low speed adjustment screw
40	4238 122 6700	1	High speed adjustment screw
41	4229 121 2701	1	Cap
	4238 120 9700	1	Pump piston kit
			□ 42 - 45
42		1	Spring (D)
43		1	Sealing ring (D)
44		1	Pump piston (D)
45		1	Plug (D)
	4238 007 1060	1	Set of carburetor parts
			□ 7, 8, 20, 21

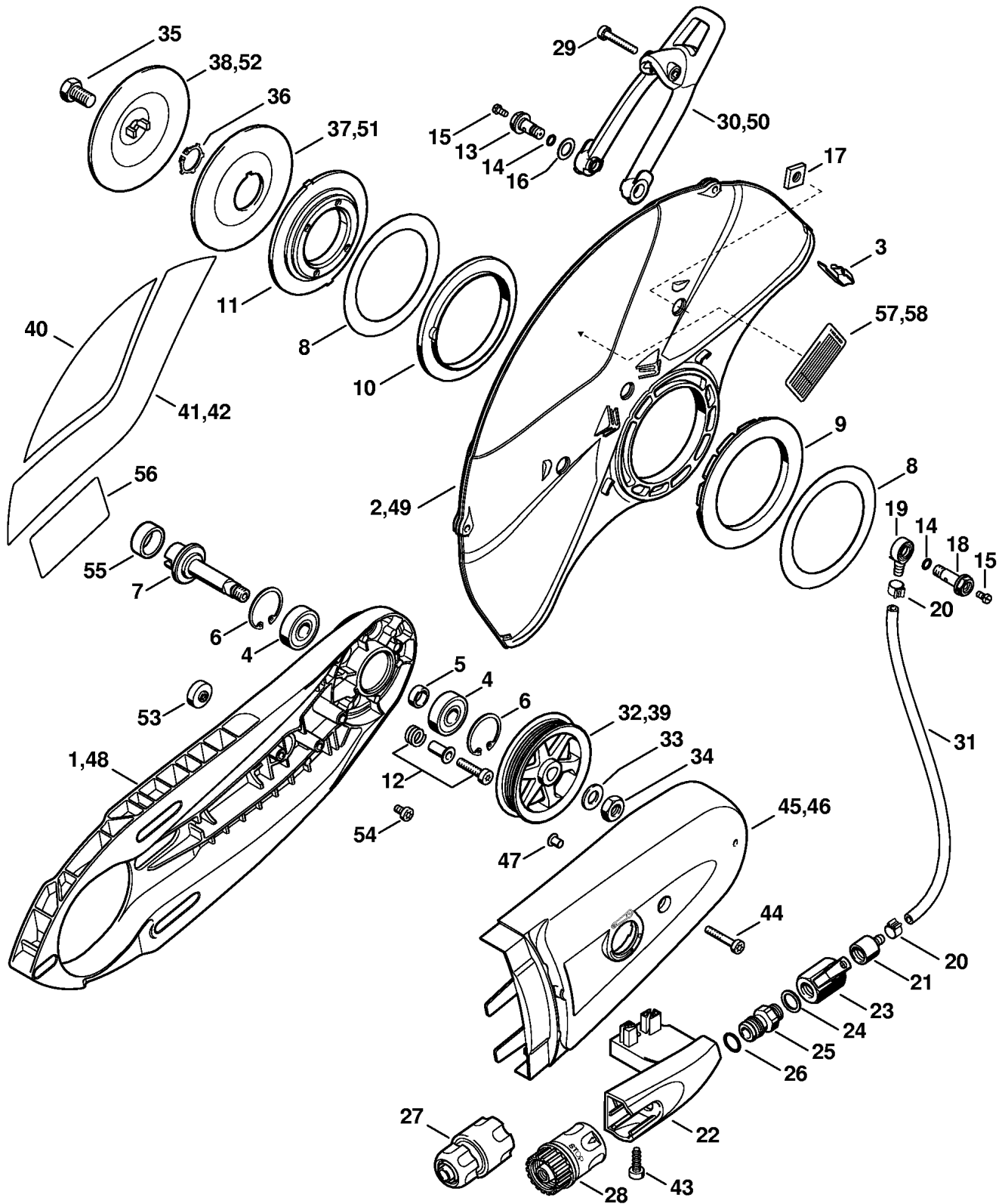
(1) TS 410, (2) TS 410-Z, (3) TS 420, (4) TS 420-Z



870FT000 SC

Reference	Item number	Qty	Description
	4238 140 4401	1	Air filter □ 1, 2
	4238 140 4402	1	Air filter USA □ 1, 2
1		1	Auxiliary filter (D)
2		1	Air filter (D)
3	4238 140 1000	1	Filter cover □ 4
4	0000 963 0809	4	Bushing
5	9022 371 1020	4	Spline screw IS-M5x20
	4238 080 1610	1	Shroud □ 6 - 20
6	4238 080 1600	1	Shroud □ 7, 8
7	0000 967 3799	1	Warning pictogram TS
8	0000 967 4000	1	Warning pictogram Filler cap
9	4238 182 1000	1	Throttle trigger
10	9371 470 2640	1	Cylindrical pin 5x24
11	4238 182 4500	1	Torsion spring
12	4238 182 0800	1	Trigger interlock
13	4238 791 0600	1	Handle molding
14	9074 477 4130	1	Pan head self-tapping screw IS-P5x16
15	4238 084 7400	1	Grommet
16	4238 182 0900	1	Switch shaft
17	4238 182 4700	1	Flat spring
18	4238 430 0500	1	Switch
19	4238 435 6001	1	Bracket
20	4238 087 8300	1	Rubber buffer
21	4238 182 1500	1	Throttle rod
22	4238 123 7500	1	Grommet
23	9074 478 4425	4	Pan head self-tapping screw IS-P6x19
24	4238 080 2200	1	Cap □ 25
25	9022 319 0981	1	Screw IS-M5x17
26	4223 967 3700	1	Instruction label J
27	4238 967 3702	1	Instruction label (1) J
28	4238 967 3703	1	Instruction label (3) J

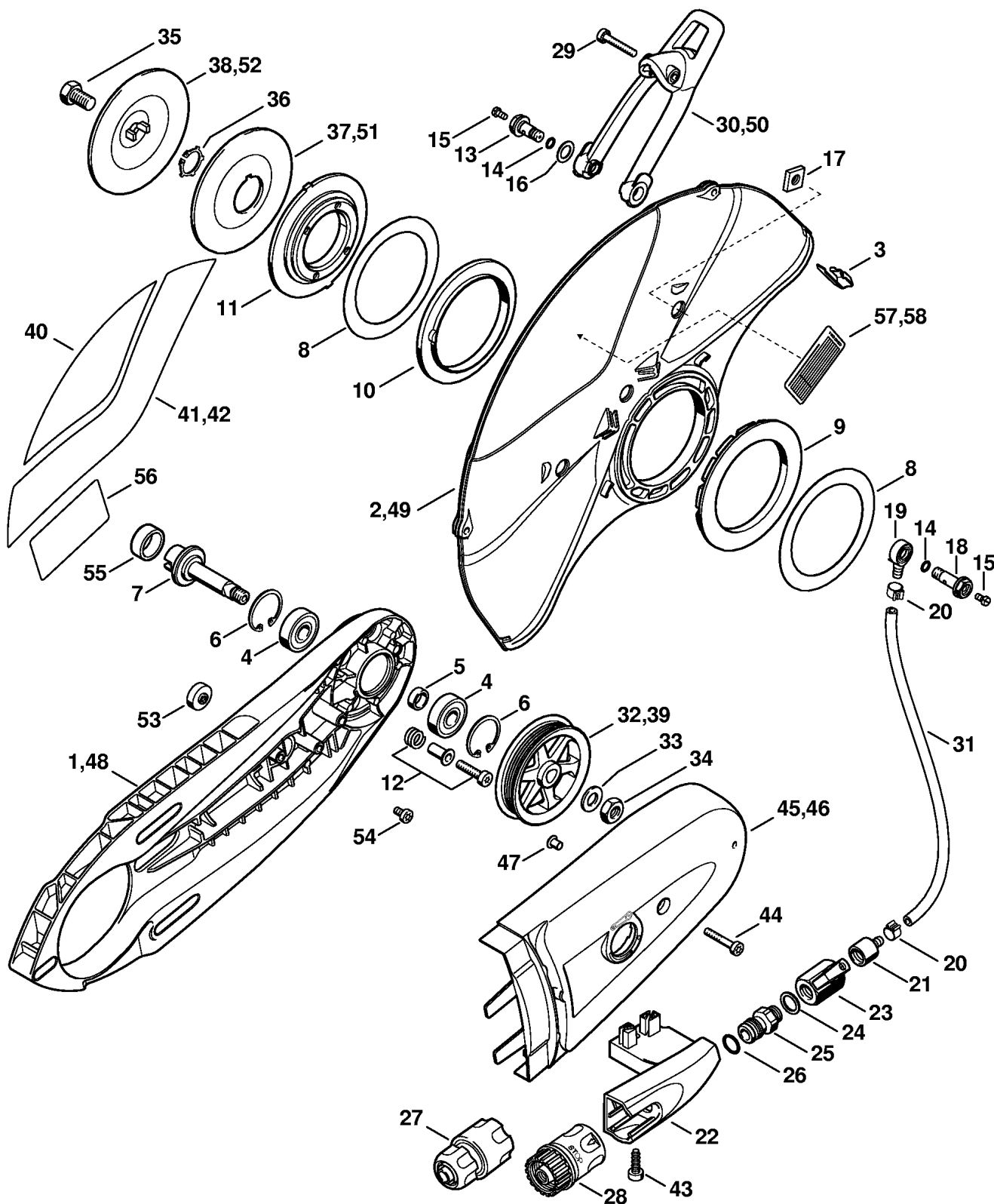
(1) TS 410, (2) TS 410-Z, (3) TS 420, (4) TS 420-Z



370ET011 SC

Reference	Item number	Qty	Description
1	4238 701 0201	1	Cast arm (1,2)
2	4238 700 8102	1	Guard Ø 300 mm / 12" (1,2) □ 3
3	4238 706 0400	2	Stiffener
4	9503 003 6440	2	Grooved ball bearing 6201-2RS
5	0000 961 1206	1	Ring
6	9456 621 3600	2	Circlip 32x1.2
7	4224 704 0502	1	Shaft
8	4201 706 9202	2	Washer
9	4224 706 8802	1	Rubber ring
10	4224 706 8801	1	Rubber ring
11	4205 706 2903	1	Flange
12	4238 710 9500	4	Adjusting screw
13	0000 670 0201	2	Banjo bolt □ 14
14	9646 945 0340	1	O-ring 6x1.5
15	9041 216 0630	2	Pan head screw M4x8
16	0000 679 2000	1	Gasket
17	4224 708 8300	2	Square nut
18	0000 670 0200	1	Banjo bolt □ 14
19	4224 677 8203	1	Connector
20	9771 021 0921	2	Hose clip 10/7
21	4238 677 8200	1	Connector
22	4238 708 8200	1	Bracket
23	4201 700 4500	1	Shut-off cock 1/4"
24	0000 954 1701	1	Sealing ring
25	4201 700 7300	1	Hose connector □ 26
26	9645 945 7506	1	O-ring 10x3
27	4201 670 1700	1	Coupling sleeve 1/2" (1,3)
28	4201 670 1701	1	Coupling sleeve 3/4" USA, CDN
29	9022 341 1070	2	Spline screw IS-M5x30
30	4238 700 2900	1	Adjusting lever (1,2)

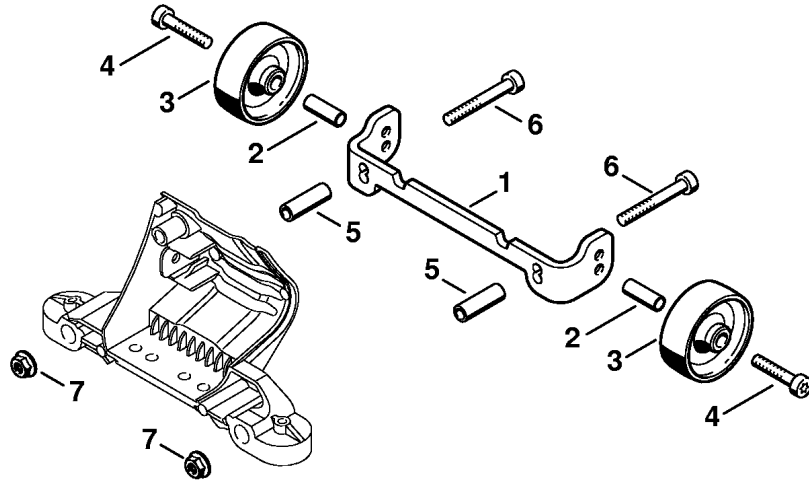
(1) TS 410, (2) TS 410-Z, (3) TS 420, (4) TS 420-Z



370ET011 SC

Reference	Item number	Qty	Description
31		1	Hose 5.6x1.9x585 mm (D)
	0000 937 4049	1	Hose 5.6x1.9 mm x 1 m (A,B)
32	4238 764 8505	1	Poly V-belt pulley (1,2)
33	9291 021 0200	1	Washer 10.5
34	9211 260 1350	1	Hexagon nut M10x1 l/h thread
35	4201 708 8402	1	Hexagon head screw M10x18
36	9450 721 2150	1	Circlip 20x1.2
37	4201 708 3004	1	Thrust washer Ø 103 mm
38	4201 708 3014	1	Thrust washer Ø 103 mm
39	4238 764 8504	1	Poly V-belt pulley (3,4)
40	0000 967 3521	1	Instruction label (2,4) USA, CDN
41	0000 967 3511	1	Instruction label (2) USA, CDN
42	0000 967 3520	1	Instruction label (4) USA, CDN
43	9074 478 4425	1	Pan head self-tapping screw IS-P6x19
44	9022 341 1070	1	Spline screw IS-M5x30
45	4238 700 8101	1	Guard (1,2) □ 47
46	4238 700 8100	1	Guard (3,4) □ 47
47	9443 825 7130	1	Hollow rivet 7.5x1x6.8
48	4238 701 0200	1	Cast arm (3,4)
49	4224 700 8102	1	Guard Ø 350 mm / 14" (3,4) □ 3
50	4224 700 2901	1	Adjusting lever (3,4)
51	4205 708 3000	1	Thrust washer Ø 118 mm (3,4) AUS, J
52	4205 708 3010	1	Thrust washer Ø 118 mm (3,4) AUS, J
53	4224 790 9300	1	Rubber buffer (2,4)
54	9022 341 0910	1	Spline screw IS-M5x6 (2,4)
55	4201 760 6100	1	Ring 1"x20x9.5 mm (B)
56	4223 967 3701	1	Instruction label J
57	4238 967 3700	1	Instruction label (1) J
58	4238 967 3701	1	Instruction label (3) J

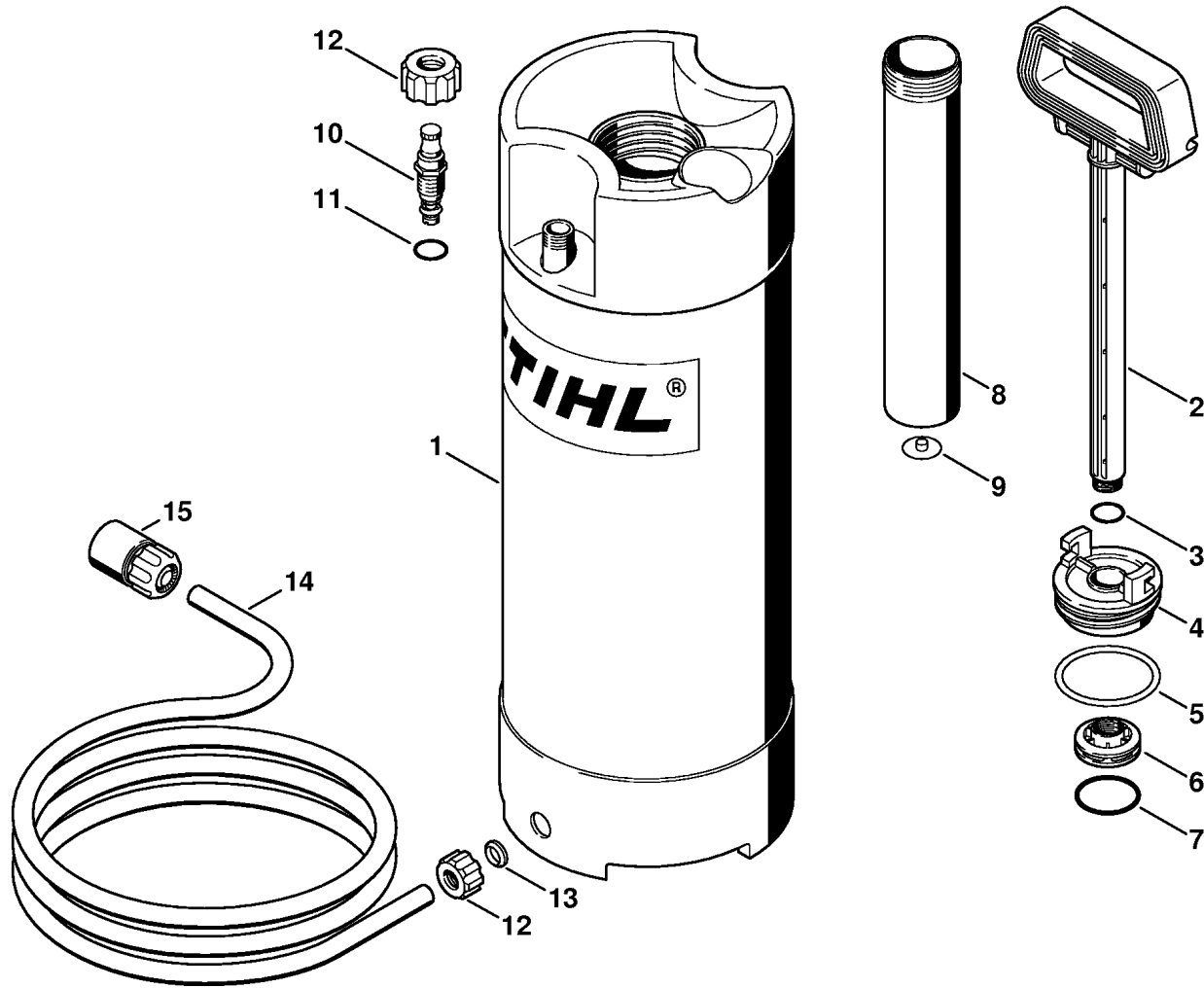
(1) TS 410, (2) TS 410-Z, (3) TS 420, (4) TS 420-Z



370ET008 SC

Reference	Item number	Qty	Description
	4224 007 1014	1	Mounting kit wheels (B) □ 1 - 7
1		1	Carrier (B,D)
2	4223 791 7200	2	Sleeve (B)
3	4223 791 3600	2	Wheel (B)
4	9007 319 1370	2	Hexagon head screw M6x30 (B)
5	4224 791 7204	2	Sleeve (B)
6	9007 319 1420	2	Hexagon head screw M6x45 (B)
7	9210 260 1100	2	Hexagon nut M8 (B)

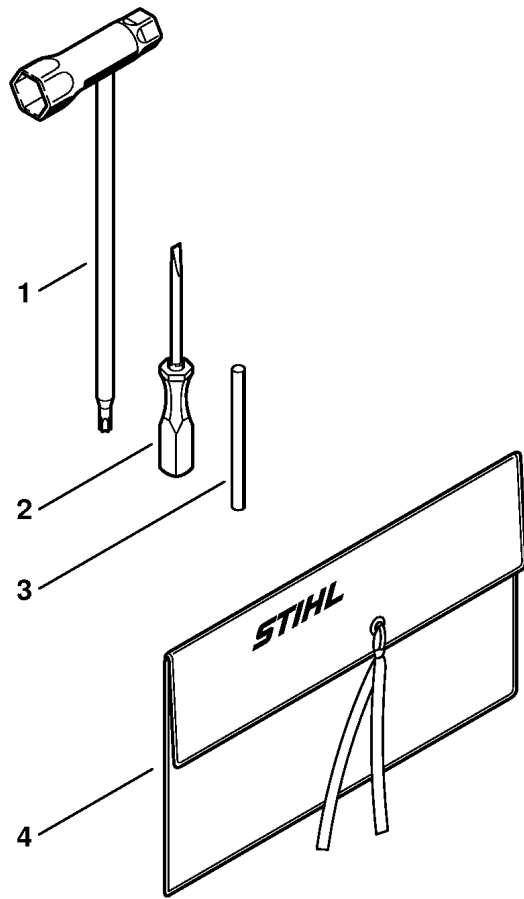
(1) TS 410, (2) TS 410-Z, (3) TS 420, (4) TS 420-Z



337ET021 GIM

Reference	Item number	Qty	Description
	4223 670 6000	1	Water tank (B) □ 1 - 14
	4223 670 6001	1	Water tank (B) USA □ 1 - 15
1	4223 670 6010	1	Water tank (B) □ 12, 13
2	4223 670 7700	1	Handle (B) □ 3
3	9645 945 7560	1	O-ring 14x1.78 (B)
4	4223 670 8600	1	Filler cap (B) □ 5
5	9645 945 8240	1	O-ring 56.5x 5.33 (B)
6	4223 670 8200	1	Piston (B) □ 7
7	9645 945 7958	1	O-ring 37.5x3.15 (B)
8	4223 670 6600	1	Pump barrel (B) □ 9
9	4223 678 2600	1	Valve (B)
10	4223 670 5000	1	Valve (B) □ 11
11	9645 945 7494	1	O-ring 8.76x1.78 (B)
12	4223 677 8300	2	Union nut (B)
13	4223 678 1600	1	Insert (B)
14	4309 678 1100	1	Hose 4 m / 158" (B)
15	4201 670 1700	1	Coupling sleeve 1/2" (B)

(1) TS 410, (2) TS 410-Z, (3) TS 420, (4) TS 420-Z



376ET009 SC

Drawing M Tools

Reference	Item number	Qty	Description
1	4224 890 3400	1	Combination wrench
2	5910 890 2305	1	Screwdriver
3	4130 893 7800	1	Locking pin
4	0000 891 0801	1	Tool roll

(1) TS 410, (2) TS 410-Z, (3) TS 420, (4) TS 420-Z
